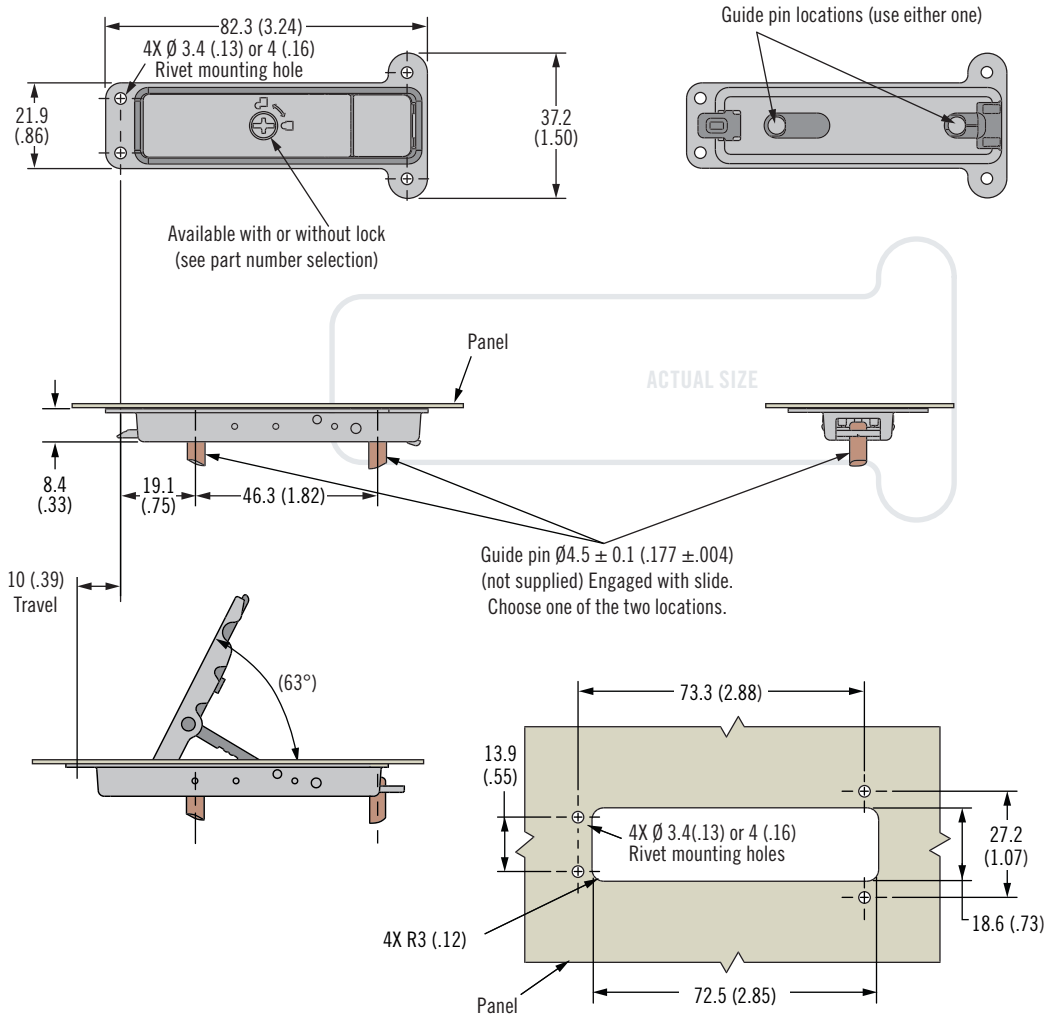
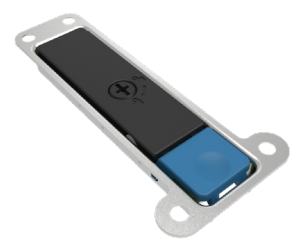


# HH Sliding Cover Latch

Pop-up function · Secondary Latch · Flush



- Intuitive operation with pop up handle
- Convenient installation with a dual engagement hole mounting design
- Carbon steel slide

### Material and Finish

Cup: Steel, zinc plated  
 Lever: Zinc alloy, powder coated  
 Button: Glass reinforced nylon

### Performance Details

Max. working load on side: 100 N  
 Operating temperature range:  
 -40°C to 40°C  
 Flammability rating: UL-94-V0

### Installation Notes

Install assembly with  
 Ø 3.4 (13) or 4 (.16) rivets

### Part Number

See table

